

INSTRUCTIONS BIRDHOUSE BUILDING KIT

Contains:

6 pre-drilled wooden parts
19 screws

You will also need:

Phillips screwdriver
1 stainless nail

Good to know:

Birds often find few natural nesting places in your area. You can help them by increasing the habitat with your homemade birdhouse. The birdhouse is not only a good place for birds during the breeding season. In the winter period it helps many birds, insects and other small organisms in wintering.

The instructions tell you step by step how to assemble the birdhouse. Information is also provided on how to hang the box and how it should be cleaned after a season.

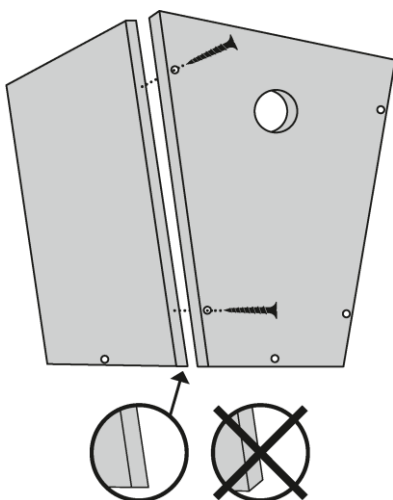
The nesting box has an approach hole of 30 mm for the great tomtit, crested tits, glossy tits and black tits.

The pine wood is robust and is characterised by the fact that it is extremely suitable for use outside the house. Because wood is a natural product, the actual finish may vary from the photograph.

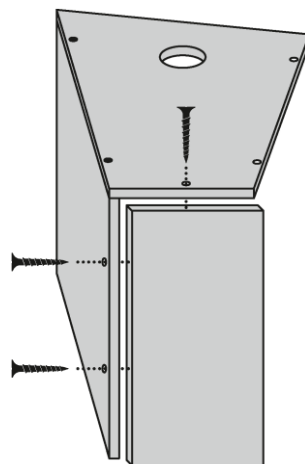
Your construction kit has been put together by people with disabilities in the Steinfurt social workshop.

This is how it is put together:

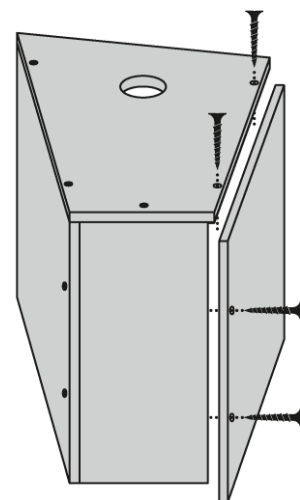
1.



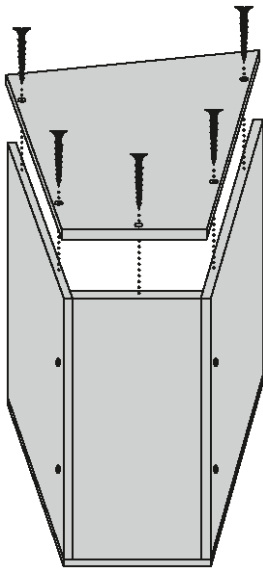
2.



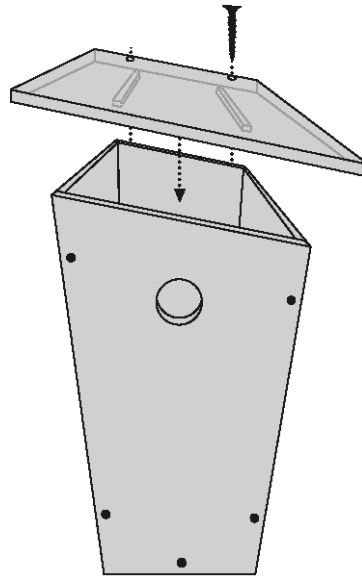
3.



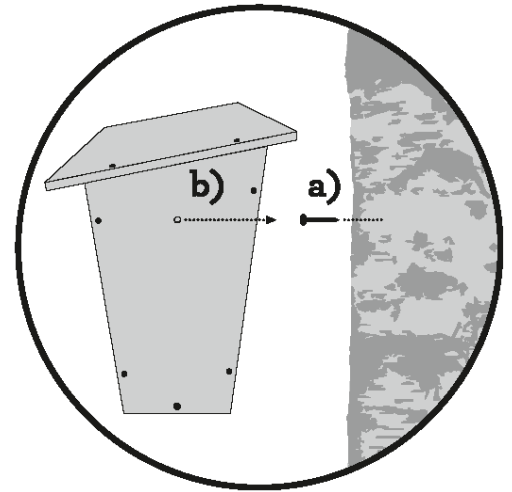
4.



5.



6.



Once you have assembled your bird box you can protect it from the weather and humidity by treating it with linseed oil or painting it with nature-friendly paint.

The best place for the nesting box:

Birds prefer to find their home in a green and nutrient-rich environment. In places where many flowers bloom and where you can find many fruit trees, insects feel at home. And these insects are food for birds.

Hang the nesting box about 2 to 3 metres high, without any wobble, on a tree. Use a stainless nail that you hammer into the tree from above so that the nesting box cannot fall down. Avoid locations near branches as much as possible, as cats and other predators have free play there. Aim the nesting box at the east/south-east to prevent it from hanging in the sun all day.

How to take care of the nesting box:

Clean the birdhouse once a year, after the breeding season, when the young bird family has left the house. September is usually a good time to do this, so that it is clean and can provide shelter for animals in the winter. Loosen the screws behind the roof and take the roof off to clean it. The old nest should be removed and then the hive should be brushed clean. It is best not to use any cleaning products.

Disclaimer:

This manual has been compiled and checked with the greatest care. Nevertheless, the publisher cannot guarantee its function. Compensation for damage to persons, property or assets is excluded.

Disclaimer for links:

The publisher shall not be liable for any damage suffered as a result of visiting websites mentioned in this manual. Links to the websites may change or expire. The risk of the content or technical security of links mentioned in this manual lies with the user.